



CORNER AND FACE MILLING CUTTERS 90°



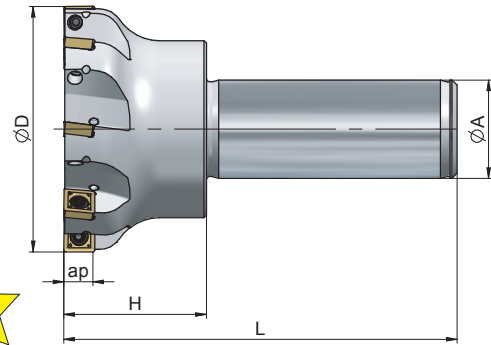
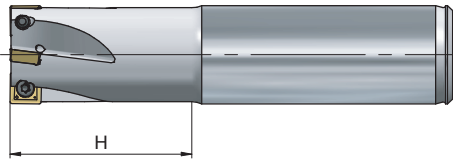
Optimized Tools for economic milling solutions

- Angle **exactly 90°**
- Inserts **SPHT/W 06** with **4 cutting edges**
- Smooth cutting - superior surface finish at increased feed rates
- Cylindrical shank for collets, hydraulic chucks and shrink fit chucks



CORNER AND FACE MILLING CUTTERS 90°

90°



Article No.	[inch]								
	ØD	ØA	L	H	ap	z			
FZ 1616 RSAS-06	.630"	.630"	3.346"	1.299"	.232"	3	SP.. 0602..	T25.055	T7F
FZ 2020 RSAS-06	.787"	.787"	3.543"	1.457"	.232"	4			
FZ 2520 RSAS-06	.984"	.787"	3.150"	1.142"	.232"	5			
FZ 3220 RSAS-06	1.260"	.787"	3.150"	1.142"	.232"	6			
FZ 4020 RSAS-06	1.575"	.787"	3.150"	1.142"	.232"	7			
FZ 5020 RSAS-06	1.969"	.787"	3.150"	1.142"	.232"	8			

All milling cutters with internal coolant

Upon request with Weldon area

CARBIDE INSERTS

	Article No.	[inch]																			
		l	Ød	+/-	s	+/-	m	+/-	R	Ød ₁	DC 10	DX 2	DX 20	DX 30	DX 32	DX 50	DX 52	DT 55	DT 255	DT 355	
	SPHT 060204 EN	.250"	.250"	.0005"	.094"	.001"	.045"	.0005"	.0158"	.110"		■			■						
	SPHW 060204 FN	.250"	.250"	.0005"	.094"	.001"	.045"	.0005"	.0158"	.110"						■					
	SPHW 060208 FN	.250"	.250"	.0005"	.094"	.001"	.039"	.0005"	.0315"	.110"						■					

